

CXL 380-470C

Unity Gain, Broad-Band Base Station Antenna for 380 - 470 MHz

- CXL 380-470C is a sturdy, 0 dBd, vertically polarized, omnidirectional base station antenna, which covers 380 - 470 MHz.
- The antenna is provided with our "C" mast bracket, which is a universal, epoxy-coated mounting bracket made of non-corrosive aluminium. The accompanying U-bolts and fittings are made of stainless steel.
- The antenna can be mounted on 27 to 65 mm dia. mast tubes and it is possible to lead the cable either along the inside or on the outside of the mast tube.

DESCRIPTION

- The broad-banded antenna element is completely enclosed in a glass fibre shroud, which will ensure performance undisturbed by corrosive environments.
- To substantially reduce noise caused by atmospherical discharges, all metal parts in the antenna are DC-grounded. Consequently, the antenna shows a DC-short across the coaxial cable.
- This antenna is constructed to ensure long dependable service in all climates.

ORDERING DESIGNATIONS

TYPE	PRODUCT NO.
CXL 380-470C	100000509

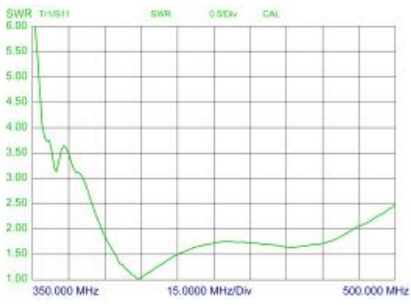


SPECIFICATIONS

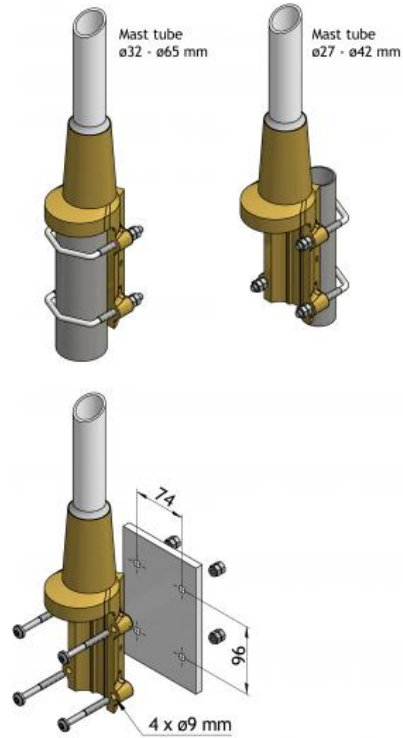
ELECTRICAL	
MODEL	CXL 380-470C
ANTENNA TYPE	½ λ, broad-banded
FREQUENCY	380 - 470 MHz
IMPEDANCE	Nom. 50 Ω
RADIATION	Omnidirectional
POLARIZATION	Vertical
GAIN	0 dBd
BANDWIDTH	90 MHz
SWR	≤ 2.0
MAX. POWER	150 W
ANTISTATIC PROTECTION	All metal parts DC-grounded (connector shows a DC-short)

MECHANICAL	
TEMP. RANGE	-30° C → +70° C
CONNECTOR	N-female
WIND SURFACE	0.042 m² / 0.45 ft²
WIND LOAD	49 N @ 160 km/h / 99.42 mph.
MAX. WIND SPEED	200 km/h / 125 mph.
COLOUR	Marine white
MATERIALS	Radome : Polyurethane-coated glass fibre Mounting bracket : Seawater resistant aluminium, epoxy-coated
TOTAL HEIGHT	Approx. 1.20 m / 47.25 in.
WEIGHT	Approx. 2.2 kg / 4.85 lb.
MOUNTING	On 27 - 65 mm / 1.06 - 2.56 in. dia. mast tube

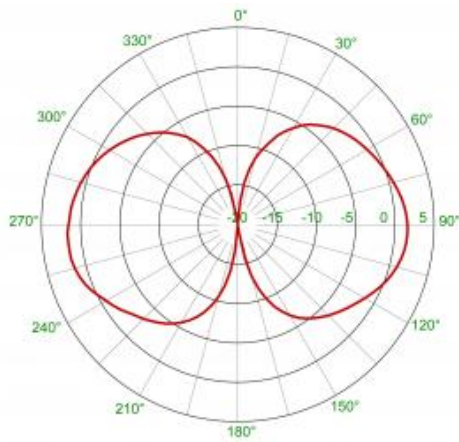
TYPICAL GAIN AND SWR CURVES



MULTI-PURPOSE MOUNTING BRACKET



TYPICAL RADIATION PATTERN (E-PLANE)



TYPICAL RADIATION PATTERN (H-PLANE)

